



Innovating for a safer world and happier life.

Swing Gate



DELOS INTERNATIONAL GROUP LTD
WWW.DELOSGROUP.COM

T: +86-571-89305861

F: +86-571-89305880

E: sales@delosgroup.com

A: 9#, Haishu Road, Hangzhou, China.



Swing Gate

DSG-210

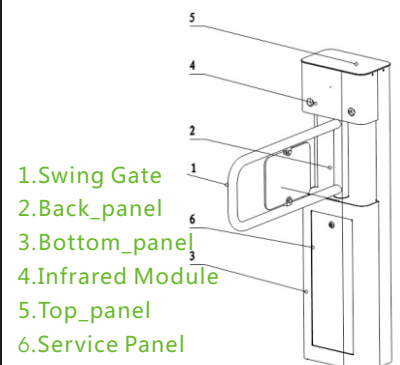
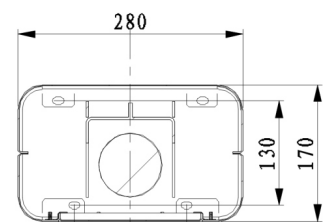
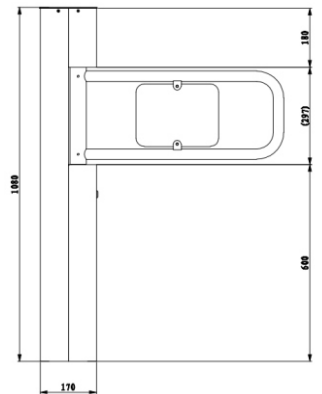
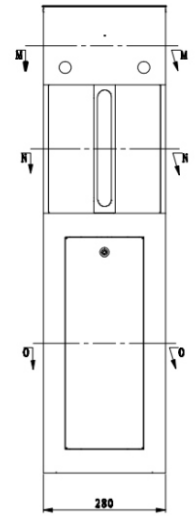
Working Modes:
Infrared Trigger
Normally Close
Emergency

Features

- Anti-bumping: When the swing arms meet resistance during the operation, the motor will stop working automatically and turn back to the original state after the default time (until reach the target position or change to other modes when receiving different signals)
- Anti-shock: The arms will lock automatically if receive no authorized signals.
- Self-resetting: If the user dose not pass through at the stated time, the system will cancel his access permission this time automatically.
- Anti-panic: When power-off, the clutch will be triggered and the arms will be opened, which allows people to pass through unhinderedly.
- Remote Control: The access control can be managed through RS485, remote buttons, etc.
- When in operating, the running is smooth, noise low and cushion soft. The machine can manage the access control in one-way or two-way at the same time.
- AISI-304 brushed stainless steel cabinet is elegant and durable, while the surface of the cassette mechanism is electroplated and anti-corrosive treated by yellow bichromate with the thickness of 15 μ m.
- The emergency mode, normally close mode and infrared trigger mode can satisfy different requirements, ensuring the unhindered passing through.

parameter

- Dimension :** 280L*170W*1080H (mm)
- arm :** 900mm
- weight :** 35Kg
- Swing angle :** 90° in two-way
- Swing Directions :** One-way, two-way
- Voltage :** AC220 \pm 10%V/50 \pm 10%HZ
- Motor :** 24V/40W brushless DC motor
- Input Signal :** Dry contact, TTL, or pulse signal which width more than 100ms
- Communication :** Rs485
- Speed :** 40people/min(NO), 20~30people/min(NC)
- Open and close time :** 1-3S
- Start-up Time :** 10S
- Environment :** Inside, outside(awning)
- Temperature :** -20°C~50°C
- Humidity :** \leq 95%



PLACE

Swing gate is a controlling device which is designed for places with relatively large aisle width to manage the access control and passenger flow. It has a unified and standard external electrical interface which can be connected with a variety of identification devices such as IC card, ID card, barcode and fingerprint. It can be widely used in spaces where intelligent management is required, such as stations, wharfs, subway, factories, mansion, intelligent communities, office buildings, libraries, theaters, enterprises, convention centers, sports venues, tourist attractions, hotels, clubs, etc.