

Removable Automatic Bollard



Series No.DBO-89/114/133 RE0/RE4

TECHNICAL MANUAL

Verb 1.0

Contents

1. SAFETY INSTRUCTIONS3

2. DESCRIPTION.....3

 2.1. Description of the series and definitions3

 2.2. Location of the components4

3. INSTALLATION4

3. INSTALLATION5

4. Use5

 4.1. Procedure to remove the bollard5

 4.2. Procedure to fixed the bollard6

1. SAFETY INSTRUCTIONS

ATTENTION! To ensure the safety of people, it is important that you read all the following instructions. Incorrect installation or incorrect use of the product could cause serious harm to people.

2. DESCRIPTION

2.1. Description of the series and definitions

The removable bollard has been designed to control access to a site with a low level of security, low duty cycle requirement, guaranteeing pedestrian access but blocking the area to road traffic. The removable bollard includes post and the underground parts:



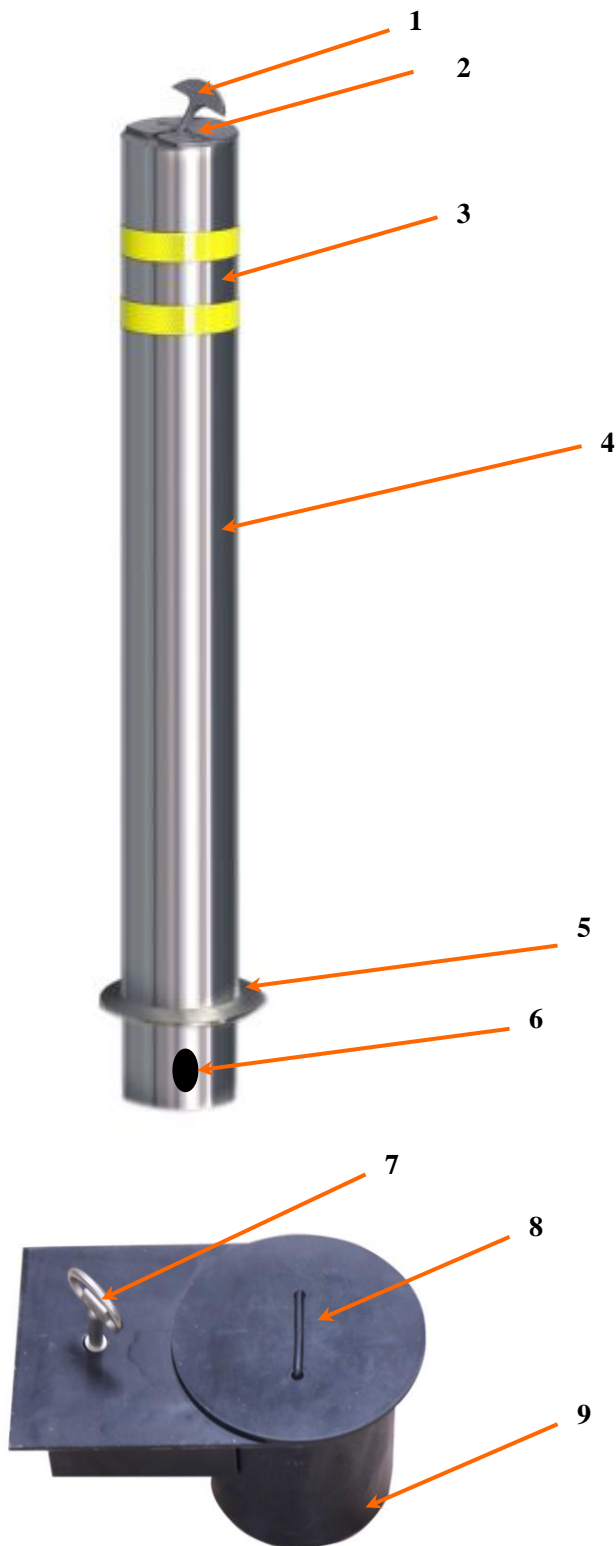
Post



Underground Parts

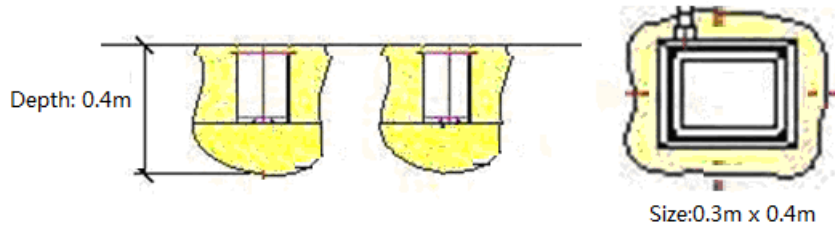
2.2. Location of the components

- 1. T handle
- 2. Anti-theft screw
- 3. Reflector tape
- 4. Cylinder
- 5. Flange
- 6. Lock hole
- 7. Keys
- 8. Cover
- 9. Underground parts



3. INSTALLATION

1. Make sure that the place where the DELOS bollard is to be installed is not a low-lying; or it need install drainage channel equipped with covering grid to protect the DELOS bollard with.
2. Dig up to a hole about size 0.3mx0.4m and depth about 0.4m (As our experience, we dig a long deep channel if there is a lot of bollard in one line.)

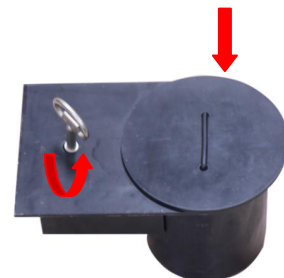
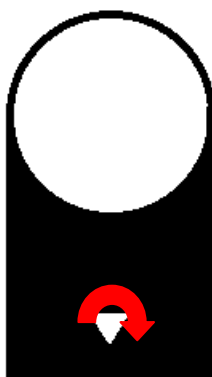


3. Put gravel (Diameter of approx. 10mm) if you installation place is outdoor.
4. Put underground parts inside of the hole, taking care to position it vertical. Insert the post part to make sure all the bollards are on the same line and level.

4. Use

4.1. Procedure to remove the bollard

1. Insert the key and rotate it 90°
2. Keep rotating the key and remove the post
3. Align the lock hole of cover and lock tongue then Input cover and release the key.



4.2. Procedure to fixed the bollard

- 1. Insert the key and rotate it 90°
- 2. Keep rotating the key
And remove the cover
- 3. Align the lock hole of post and lock tongue then input the post and release the key.

