

Delos International



DFB-400

Flap Barrier



Application

DFB-400 Intelligent Flap Barrier can be widely used in the manage systems, such as access control, time attendance electronic ticket in the business building, airport, subway, station, library, theatre, factory, convention centre, gymnasium, scenic spots, etc.

Features

- Use AISI-304 wire drawing stainless steel cabinet, beautiful appearance and durable working.
- Optional a longer box, optional telescopic boom material and color.
- Pass indication function to prompt pass status. Optional bi-direction pass or one-way pass.
- Power-on self-checking, automatic open if power-off.
- Following alarming, reverse entry alarming, illegal entry alarming, overtime occupation alarming, alarm way is beeper prompt and also a signal output.
- Can record certificated card number and passed number.
- Anti-nip function.
- Working parameters can be set through RS485 port.

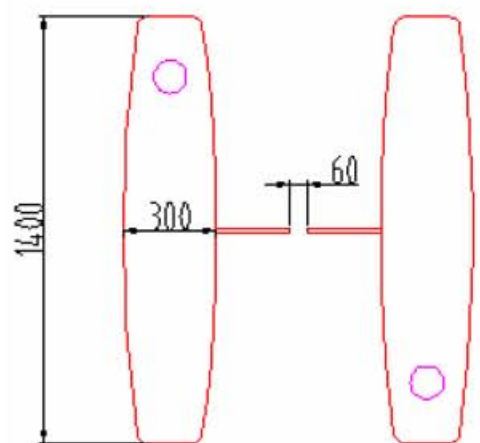
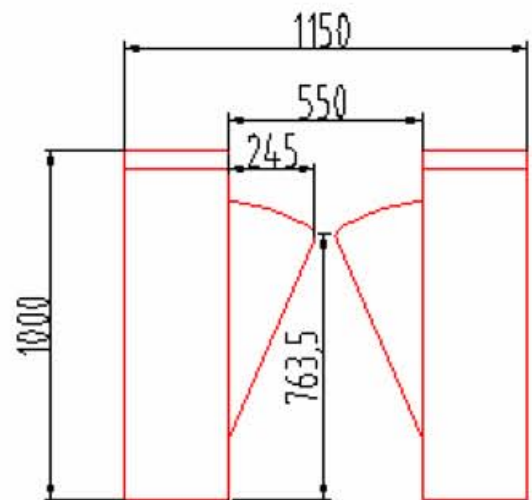
DFB-400 Flap Barrier

Electronic	
Power Supply	AC220V,50Hz
Motor	24V/30W
Input signal	<200mA
LED	4
Communicate port	RS485
Input Signal	dry connect, TTL or 5V impulse
Pass way	bi-direction or single
Operation way	normal open or normal close

Model	
Dimension	1400mm*300mm*1000
Boom length	245mm
Reading windows	2
Material	304 stainless steel

Environment	
Temperature	-10℃~60℃
Humidity	<90%

Dimension



Order

1、Warranty: 1 year

2、Available type: see following pictures



normal



Marble plate