



Innovating for a safer world and happier life.



Access Control Standalone

DA-402K/DA-403K
DA-402DK/DA-403DK

Instruction:

This series standalone is a high end, attractive standalone product for access control management, with Touch Sensor Keypad and OLED display available (DA-802DK/DA-803DK). This product is compatible with industry standard proximity technologies including EM card or Mifare card and support one ex-reader for 'in' and 'out' application. It was designed for large memory ability as 10'000 users and 10'000 event. It can work both standalone and RS485 network, green software is free available for all setting and management.

Did You Know?

DA-402K/DA-403K can change its LED default color as option, include: purple, blue, red, green, azure, white, etc. Use a master and touch No. '7' can modify its default color as you wish.

WELCOME

WELCOME

WELCOME

WELCOME

WELCOME

WELCOME

WELCOME

Did You Know?

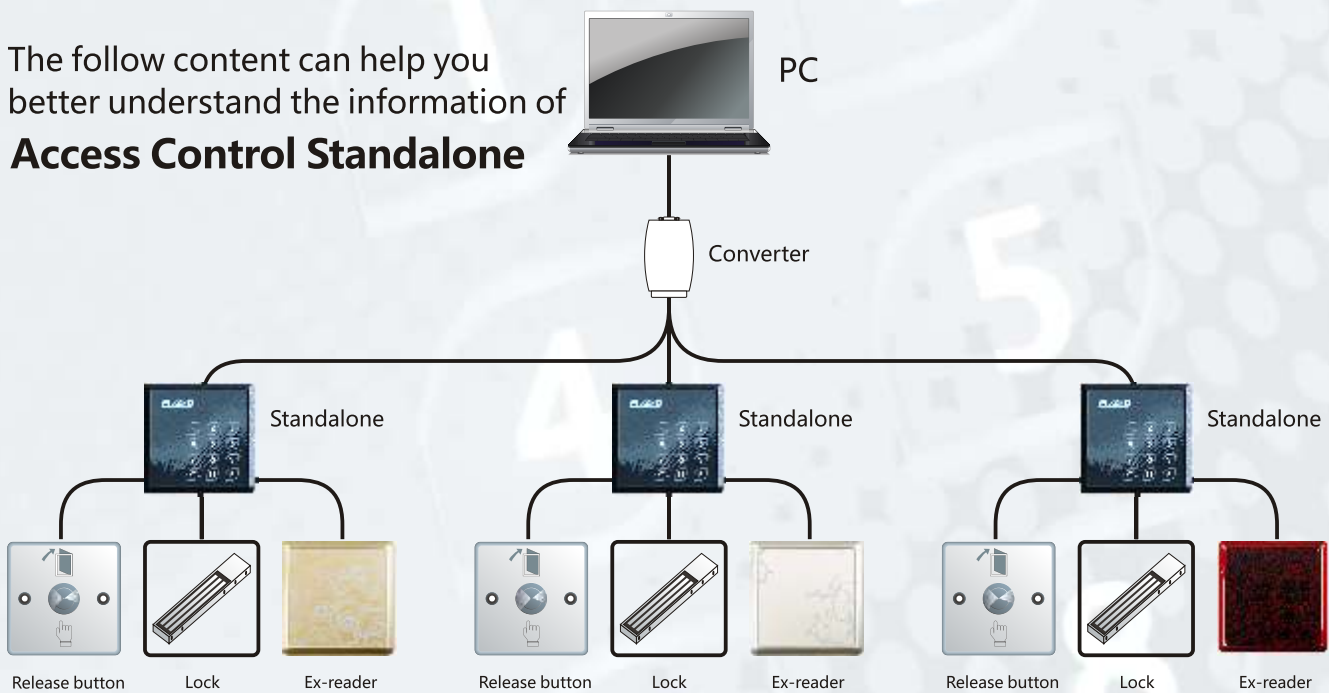
Touch sensor keypad with tactile feedback mechanisms which hide in the reader face but will be triggered when any touch. It will be much nicer looking and longer life than traditional keypad technology.



Features

- Touch Sensor Keypad
- OLED display available
- Build-in reader and support one ex-reader
- 125K or 13.56MHz proximity card
- 10,000 users and 10,000 records
- 100 sets of time zone regulation
- Divide everyday into 5 periods with different operate process
- 3 type of open operate: Card Only / Card + PIN / User No. + PIN
- Use manager card to register card or User No.+PIN without networking
- Support RS485 network and manage by a green software
- Public password optional, not limit by time zone regulation
- Support Anti-duress, input reverse password will open door and output signal to other security system
- The records can be used for attendance management
- Suitable for US / Asian mounting box

The follow content can help you better understand the information of **Access Control Standalone**



Specifications

• Electronic

Power Supply	DC 9-15V
Power Consumption	<200mA
Card Type	DA-402K/DA-402DK read EM DA-403K/DA-403DK read Mifare
Number of users	10'000
Number of records	10'000
Communication Port	Rs485
Relay Output	1, Dry contact
Data Storage	4M bits Flash Memory
Keypad	Touch sensor keypad
Software	Green software
Display	OLED (DA-402DK/DA-403DK)

• Model

Dimension	9.5cm*9.5cm*2.0cm
Weight	180G
Installation	EU/Asian standard back box
Material	ABS+PC

• Environment

Temperature	-25°C ~ 70°C
Humidity	<90%

Available type (see following pictures)

L: DA-402K/DA-403K
R: DA-402DK/DA-403DK



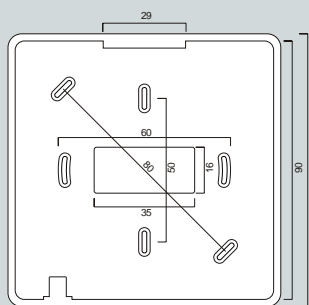
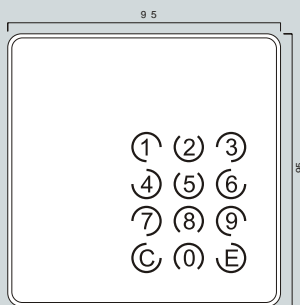
Software

Support RS485 network and manage by a green software, use this green software you can manage access control system easily:

The software support to register or delete user and manage schedules for every independent access conveniently. You can also export the passenger records for attendance management.



Dimension



For sales information or more product document, please visit our website:

<http://www.delosgroup.com>

unit:mm

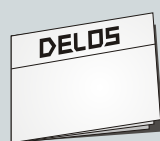
Accessories

Box to confirm whether any of the following items:

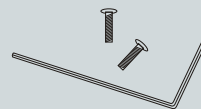
1 Standalone



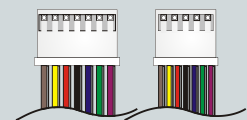
2 User Guide



3 Screw package



4 Cable package.



DELOS INTERNATIONAL GROUP LTD
WWW.DELOSGROUP.COM

T: +86-571-89305861

F: +86-571-89305880

E: sales@delosgroup.com

A: 9#, Hai shu Road, Hangzhou, China.

