



Innovating for a safer world and happier life.



Access Control Standalone

Access Control Standalone

DA-302K/DA-303K
DA-302DK/DA-303DK

Instruction:

This series standalone is an attractive, cost effective standalone product for access control management. This product is compatible with industry standard proximity technologies including EM card and Mifare. It support one ex-reader for 'in' and 'out' application and designed for large memory ability as 10'000 users and 10'000 event. With Blue backlit keypad of breathing performance and OLED display available (DA-802DK/DA-803DK). This products can work both standalone and RS485 network, a green software is free available for all setting and management.

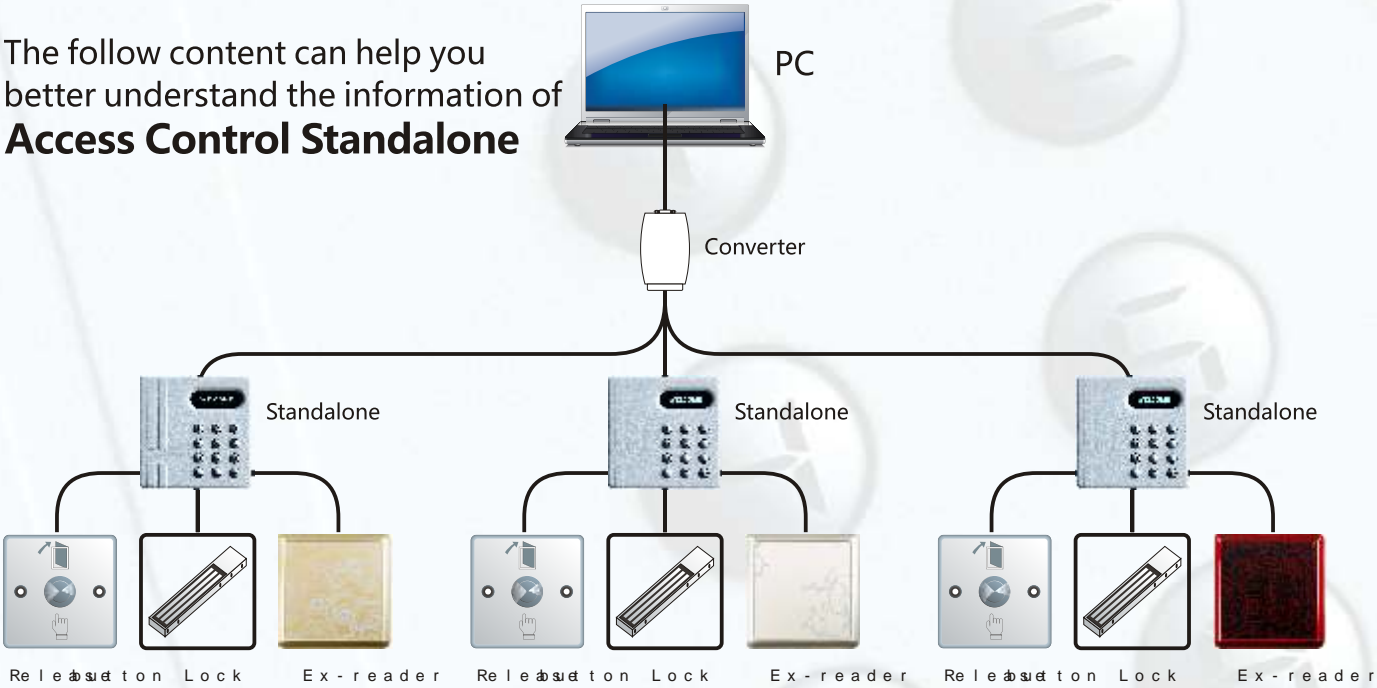
Did You Know?

OLED is for short of 'Organic Light-Emitting Diode', it's slimmer than LCD display and has much better response time than other displays. It's also consumes less energy as compared to LCD displays and other display screens. It's good for eyes, large viewing angle and durability.

The follow content can help you better understand the information of Access Control Standalone

- Features**
- Build-in reader and support one ex-reader
 - 125K or 13.56MHz proximity card
 - 10,000 users and 10,000 records
 - Blue backlit keypad of breathing performance
 - OLED display available
 - 100 sets of time zone regulation
 - Divide everyday into 5 periods with different operate process
 - 3 type of open operate: Card Only / Card + PIN / User No. + PIN
 - Use manager card to register card or User No.+PIN without networking
 - Support RS485 network and manage by a green software
 - Public password optional, not limit by time zone regulation
 - Support Anti-duress, input reverse password will open door and output signal to other security system
 - The records can be used for attendance management
 - Suitable for US / Asian mounting box

The follow content can help you better understand the information of **Access Control Standalone**



Specifications

| • Electronic | | • Model | |
|--------------------|--|---------------|----------------------------|
| Power Supply | DC9-15V | Dimension | 9.5cm*9.5cm*2.0cm |
| Power Consumption | <200mA | Weight | 180G |
| Card Type | DA-302K/DA-302DK read EM DA-303K/DA-303DK read Mifare | Installation | EU/Asian standard back box |
| Number of users | 10'000 | Material | ABS+PC |
| Number of records | 10'000 | | |
| Communication Port | Rs485 | | |
| Relay Output | 1, Dry contact | | |
| Data Storage | 4M bits Flash Memory | | |
| Keypad | 12 blue backlit keypad | | |
| Software | Green software | | |
| Display | OLED (DA-302DK/DA-303DK) | | |
| | | • Environment | |
| | | Temperature | -25°C~ 70°C |
| | | Humidity | <90% |

Available type (see following pictures)

L:DA-302K/DA-303K
R:DA-302DK/DA-303DK



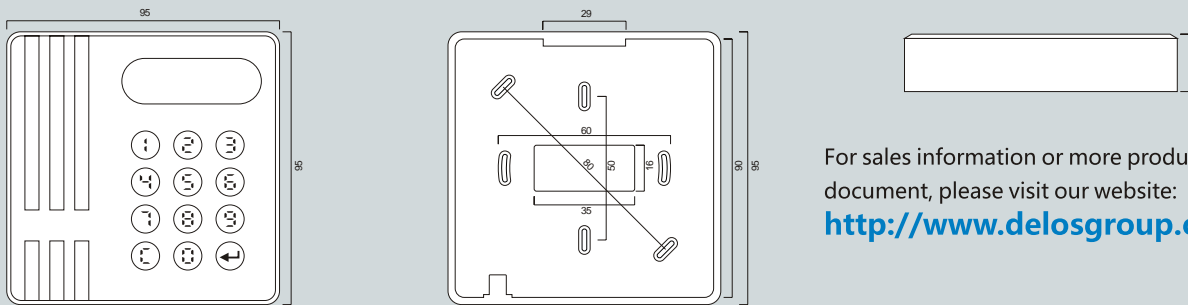
Software

Support RS485 network and manage by a green software, use this green software you can manage access control system easily:

The software support to register or delete user and manage schedules for every independent access conveniently. You can also export the passenger records for attendance management.



Dimension



For sales information or more product document, please visit our website:
<http://www.delosgroup.com>

unit:mm

Accessories

Box to confirm whether any of the following items:

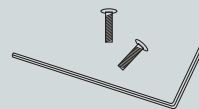
1 Standalone



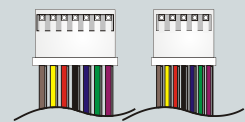
2 User Guide



3 Screw package



4 Cable package.



DELOS INTERNATIONAL GROUP LTD
WWW.DELOSGROUP.COM

T: +86-571-89305861 F: +86-571-89305880
E: sales@delosgroup.com A: 9#, Hai shu Road, Hangzhou, China.



